

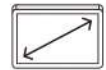
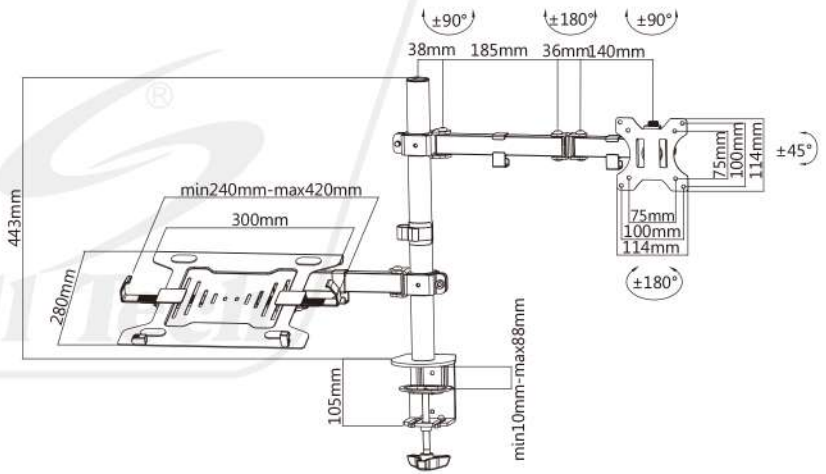
SH 0240KN

Economical Steel Articulating Monitor Arm

Monitor Desk Mount With Laptop Holder



**Also Fits
Curved Monitors**



Screen Size
13"-32"



Weight Capacity
8kg/17.6lbs



Weight Capacity
4.5kg/9.9lbs



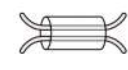
Tilt Range
+45° ~ -45°



Swivel Range
+90° ~ -90°



Screen Rotation
360°



Cable Management



VESA Compatible
75x75 100x100



Portrait and Landscape Orientation.



Individual Height Adjustment
helps monitors to be perfectly aligned.



Clamp & Grommet Mounts Included
mounts to most any style desktop.



Detachable VESA Plate
enables easy installation.



Double Joint
for Much Easier Rotation.